



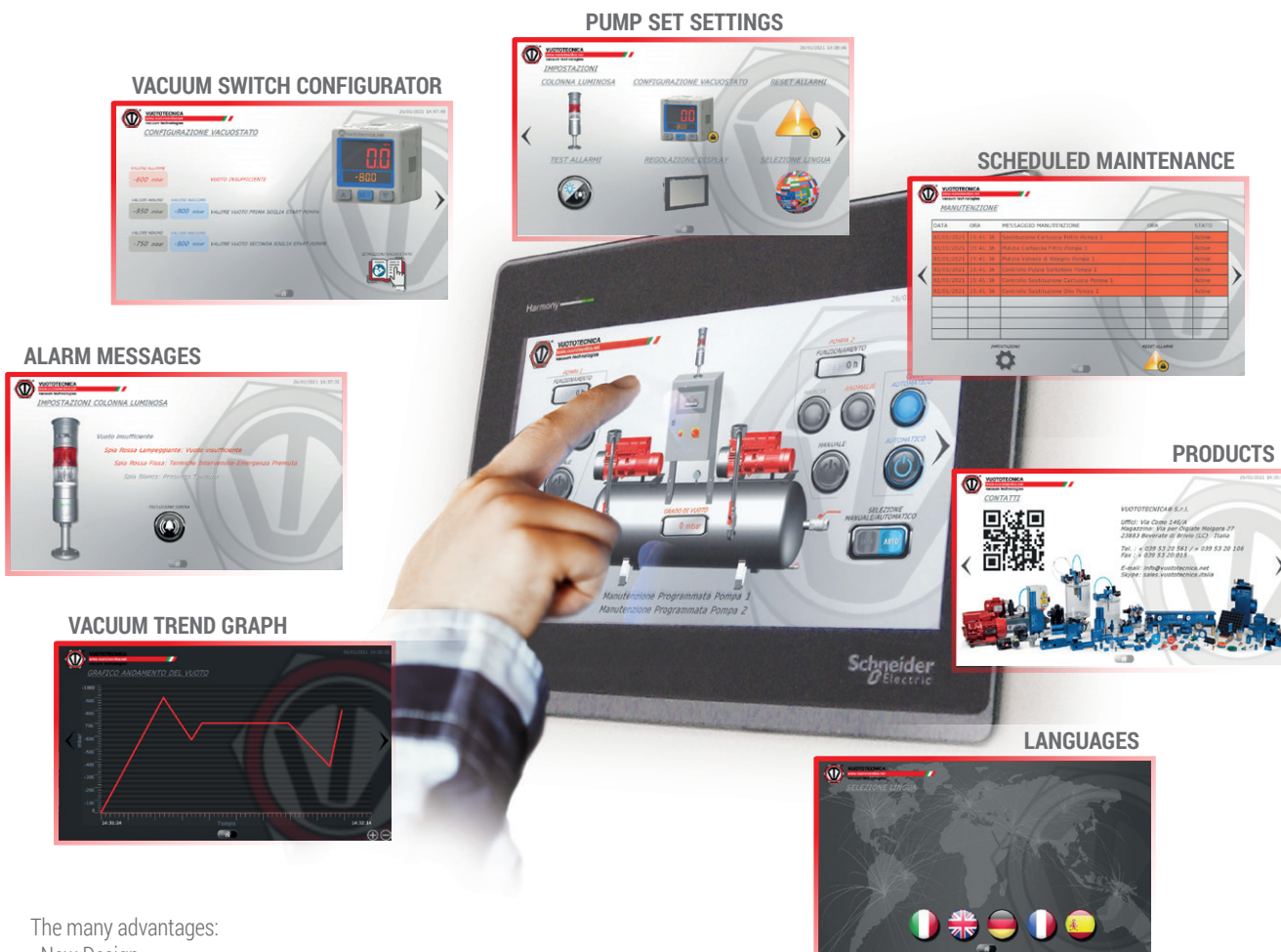
# SWITCHGEAR EQUIPPED WITH TOUCH SCREEN OPERATOR PANEL AND PLC FOR PUMP SETS AND SAFETY PUMP SETS WITH TWO OR MORE PUMP

The new electrical equipment consists of a touch screen, which is a special electronic device that is the result of combining a screen and a digitizer that allow the user to interact with a graphical interface using their fingers or specific objects.

The touch screen operator panels installed on our Pump sets are human machine interface systems, or rather devices that allow people to control our equipment very easily.

The electrical panel contains command and control equipment, collects the digital signals coming from the vacuum switch to power the vacuum pumps when necessary and is designed for a single-phase 230 Vac 50 Hz and three-phase 400 Vac 50 Hz power supply with an IP 54 protection rating. Inside is a PLC that manages all the control logics for manual and automatic operation.

3D drawings are available on [vuototecnica.net](http://vuototecnica.net)



The many advantages:

- New Design
- Alarm signalling with acoustic-visual siren
- Easy, intuitive programming
- System maintenance messages
- Vacuum level adjustable from panel
- Pump alarm-maintenance reports
- Energy-saving display switch-off
- Translatable into 5 languages
- Remote control (optional)

The pump set is designed to operate vacuum pumps in manual or automatic mode thanks to our precise, reliable digital vacuum switches, which can be easily programmed via the operator panel.

Bright displays with a wide viewing angle provide an excellent overview of the status of the machine as a whole and of all systems thanks to the 7"-10" touch screen operator panels with graphic interface.

We have included a real-time vacuum trend page with a graph.

Alarm messages indicate the type of alarm that has occurred on the panel for immediate and simplified troubleshooting.

System maintenance messages are displayed during the correct maintenance period.

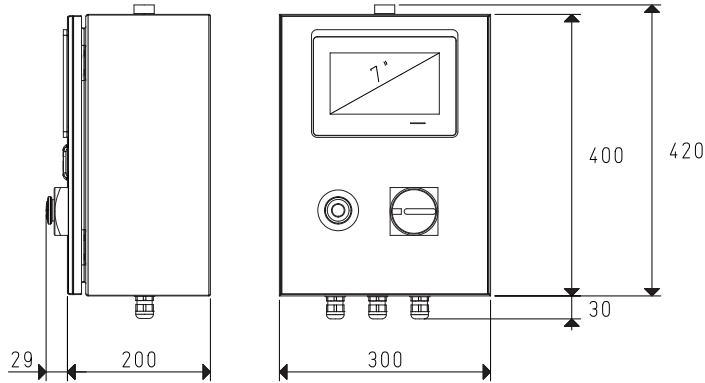
(Possibility of displaying our products via a Qr code search). Remote control (optional) lets you monitor the values of our equipment, as well as making it possible to operate remotely without additional modules.





## SWITCHGEAR EQUIPPED WITH TOUCH SCREEN OPERATOR PANEL AND PLC FOR PUMP SETS

Pump set switchgear with a 7" touch screen operator panel is able to automatically manage a vacuum pump with a maximum power of 7.5 KW in AC and can also maintain the level of vacuum in the tank. All settings are managed by the Operator Panel and PLC. All settings are managed from the Operator Panel and PLC.

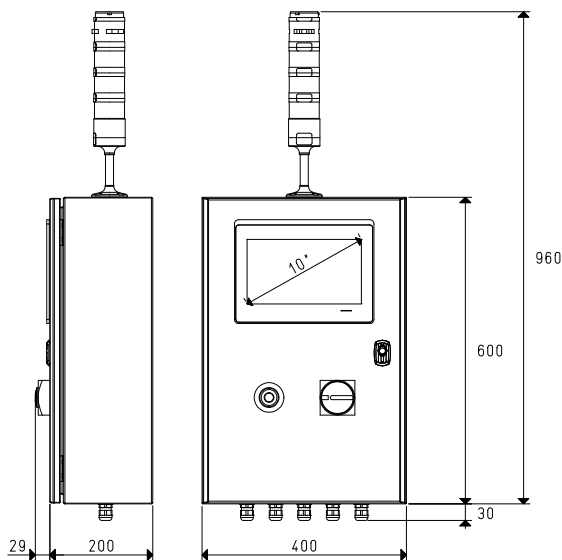


3D drawings are available on [vuotecnica.net](http://vuotecnica.net)

Art.	Quantity of pumps No.	Motor performance Volt	Max pump power Kw	Weight Kg
<b>DO 100 98V PLC</b>	1	1 ~ 230-50Hz	7.5	8
<b>DO 100 97V PLC</b>	1	3 ~ 230/400-50Hz	7.5	8

## SWITCHGEAR EQUIPPED WITH TOUCH SCREEN OPERATOR PANEL AND PLC FOR SAFETY PUMP SETS WITH 2 PUMPS

Safety pump set switchgear with a 10" touch screen operator panel is able to automatically manage two vacuum pumps with a maximum power of 7.5 KW AC and maintains the level of vacuum in the tank. All settings are managed from the Operator Panel and PLC.



Art.	Quantity of pumps No.	Motor performance Volt	Max pump power Kw	Weight Kg
<b>DSO 300 97V PLC</b>	2	3 ~ 230/400-50Hz	7.5 cad.	26

Transformation ratio: N (newton) = Kg x 9.81 (force of gravity)

inch =  $\frac{\text{mm}}{25.4}$  ; pounds =  $\frac{\text{g}}{453.6} = \frac{\text{Kg}}{0.4536}$